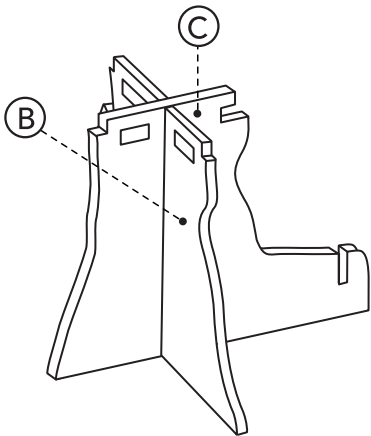
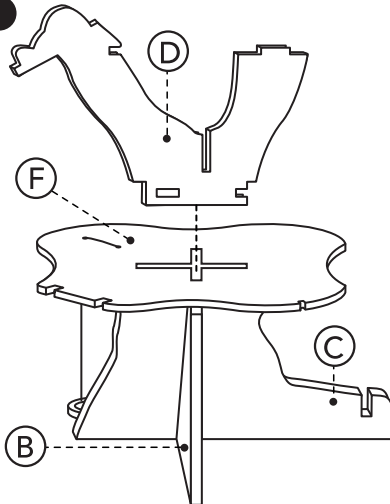


assembly

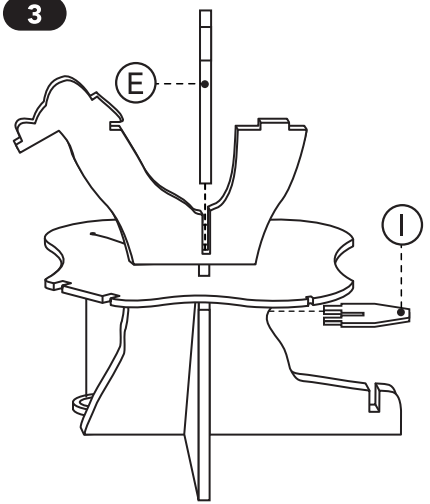
1



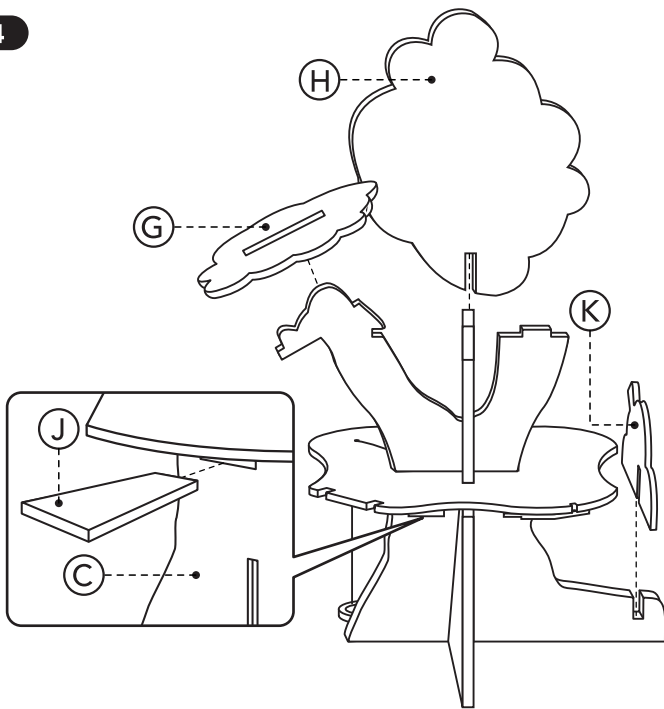
2



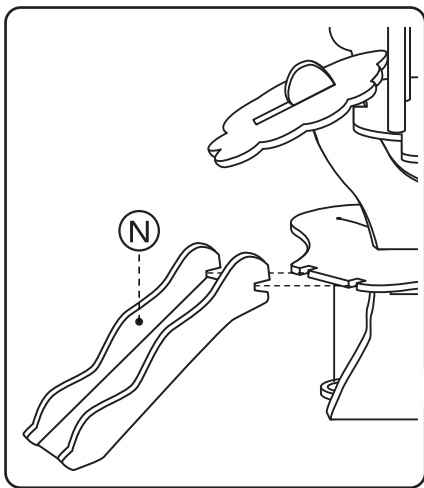
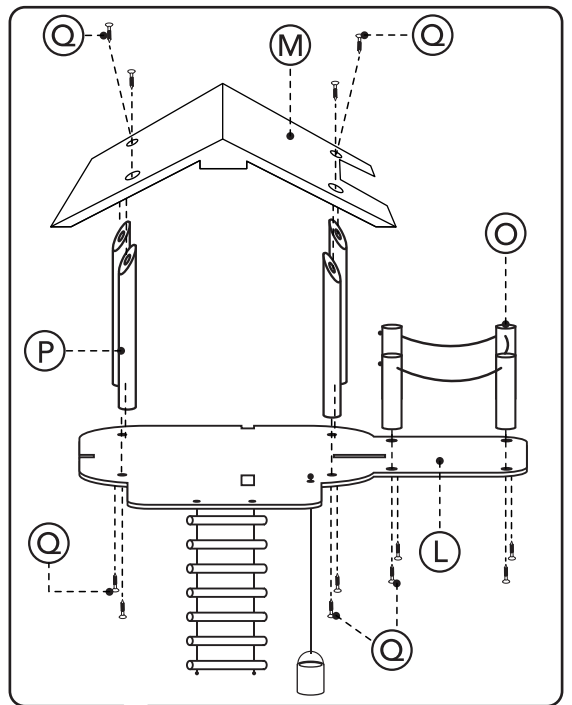
3



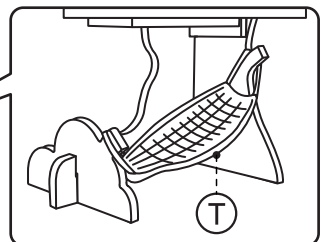
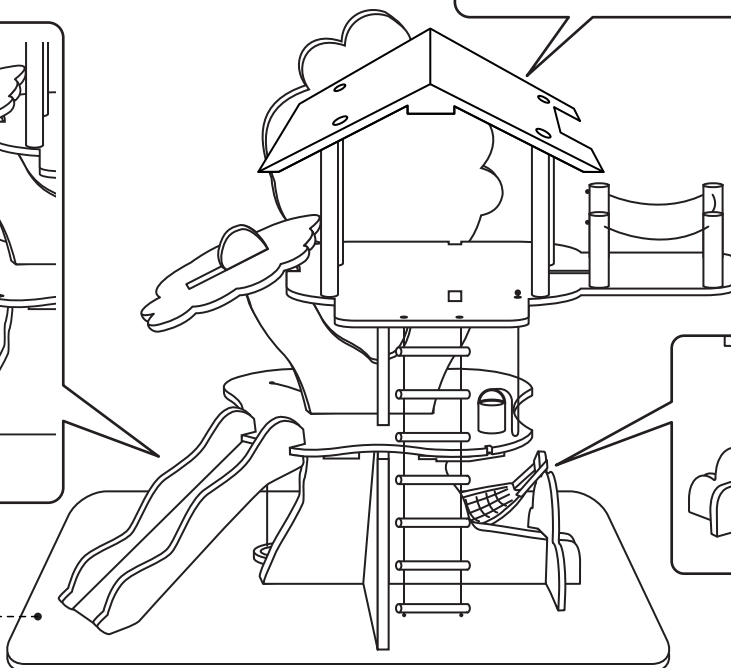
4



5



A





Rosebud Tree House

user guide

142510

0915

Early Learning Centre®
Watford WD24 6SH England.

Customer Service Department
0371 231 3513

parts checklist

A x1 	B x1 	C x1 	
D x1 	E x1 	F x1 	
G x1 	H x1 	I x1 	J x1
L x1 	M x1 	N x1 	P x4
R x1 	S x2 	O x1 	Q x12
T x1 	U x1 		